

FBV 600

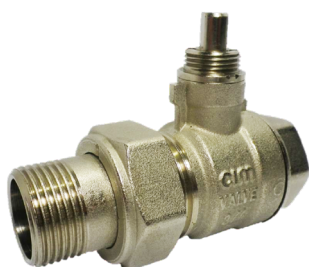
FIRŠT BALL VALVES

2-way brass ball valves

FIRŠT®



FBV 602



FBV 603

Valves are available in DN 15 – DN 32, with internal threads and union fittings and are rated PN25.

- Firšt ball valves series 600 are used as closing elements for HVAC applications (for use in heat pumps, small central heating systems, solar systems, district heating etc.), drinking water installations, irrigation installations etc.
- Two types of connections are available: internal threads (FBV 602) and internal threads with union fitting (FBV 603).

OPERATION

FBV 600 series ball valve is designed as closing element for heating systems (solar, remote, house-heating), for hot blast heating, cooling systems, swimming pools, petrochemical industry, alternative heating and agricultural purposes.

Valves are suitable for long-lasting operation because of special sealing construction. Small rotation torque of the valve minimizes valve blocking. Valves have replaceable stem pack.

Valves can be equipped with series 4000 (compact) actuators which allow high regulating accuracy and easy installation.

MAINTENANCE

Valves require no maintenance. The installation of suitable strainer is recommended.

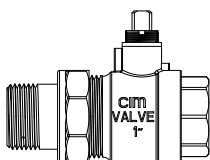
CERTIFICATES

FIRŠT valves series 600 are suitable for use in drinking water installations. All 600 series valves are ACS and WRAS certified.



INSTALLATION POSITIONS

FLEXIBLE HOLDER SYSTEM



Flexible holder for valve allows manual operation of valve without handle and button and allows indication of position on the valve holder.



TECHNICAL DATA

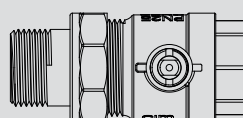
Nominal pressure:	PN 25
Medium:	drinking water, water, glycol < 50%, non aggressive liquids water quality as per VDI 2035
Media temperature:	min. -15°C max. +110°C
Max leakage:	rate A according to EN 12266-1:2003
Max. working pressure:	16 bar
Connections:	Rp internal thread (EN 10226-1) R external thread (EN 10226-1)

Material

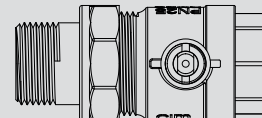
Valve body:	brass CW 617 nickel pltd.
Ball:	brass CW 617
Seals:	PTFE, EPDM Perox, FPM
Certification:	ACS and WRAS

PED 97/ 23/ EC art 3.3

WORKING WAY



OPEN



CLOSE

SUITABLE ACTUATORS



- COMPACT 2P ND
- UNI 2P ND
- UNI 2P

FIRŠT®

FIRŠT d.o.o.
Koroška cesta 56
SI-3320 Velenje
SLOVENIA

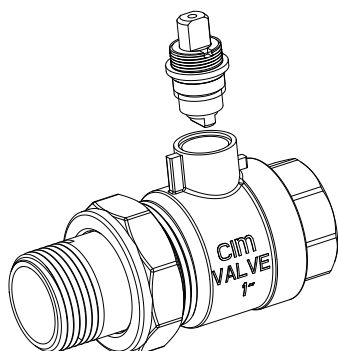
phone: +386 3 898 35 00
fax: +386 3 898 35 35
email: info@first.si
web: www.first.si

www.first.si

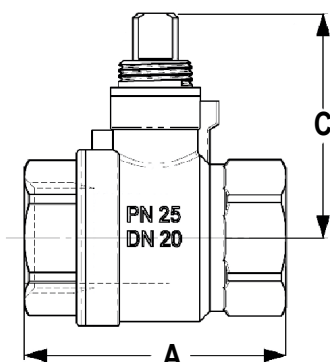
Let Firšt be your first choice.



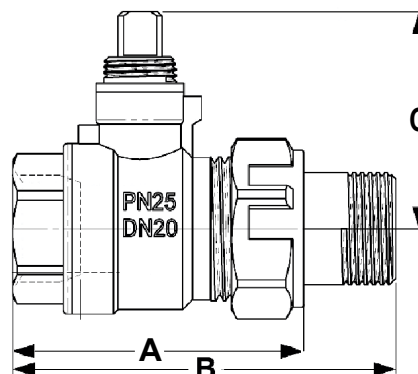
Replaceable stem pack



FBV 602
 internal threads



FBV 603
 union fittings, internal threads



FBV 602, internal threads

Code	Type	DN	Kvs	Connection	A	B	C	Weight [kg]	Price (€)
50102	FBV 602 DN20 Rp 3/4"	20	41	Rp 3/4"	58		50	0,33	
50103	FBV 602 DN25 Rp 1"	25	68	Rp 1"	70		54	0,48	
50104	FBV 602 DN32 Rp 1 1/4"	32	123	Rp 1 1/4"	81		61	0,82	

FBV 603, internal threads, union fitting

Code	Type	DN	Kvs	Connection	A	B	C	Weight [kg]	Price (€)
50106	FBV 603 DN20 Rp 3/4"	20	41	Rp/ R 3/4"	58	90	50	0,52	
50107	FBV 603 DN25 Rp 1"	25	68	Rp/ R 1"	70	104	54	0,72	
50108	FBV 603 DN32 Rp 1 1/4"	32	123	Rp/ R 1 1/4"	81	122	61	1,05	

INSTALLATION EXAMPLE

